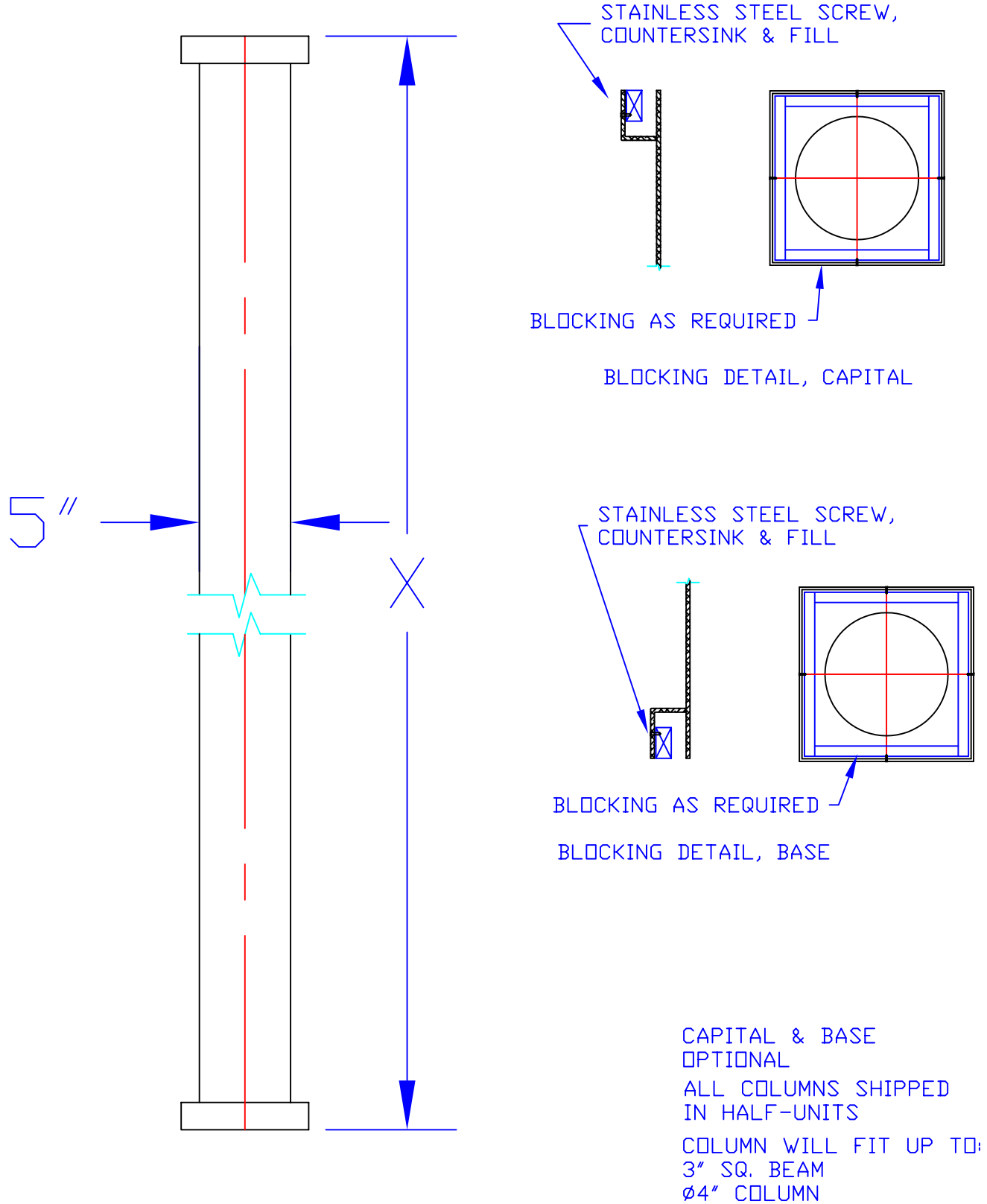


CAPITAL & BASE  
OPTIONAL  
ALL COLUMNS SHIPPED  
IN HALF-UNITS  
COLUMN WILL FIT UP TO:  
3" SQ. BEAM  
Ø4" COLUMN

COL05

*FIBERGLASS  
TECHNOLOGIES, INC.*

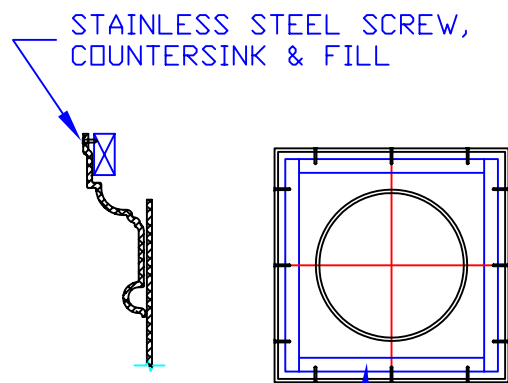
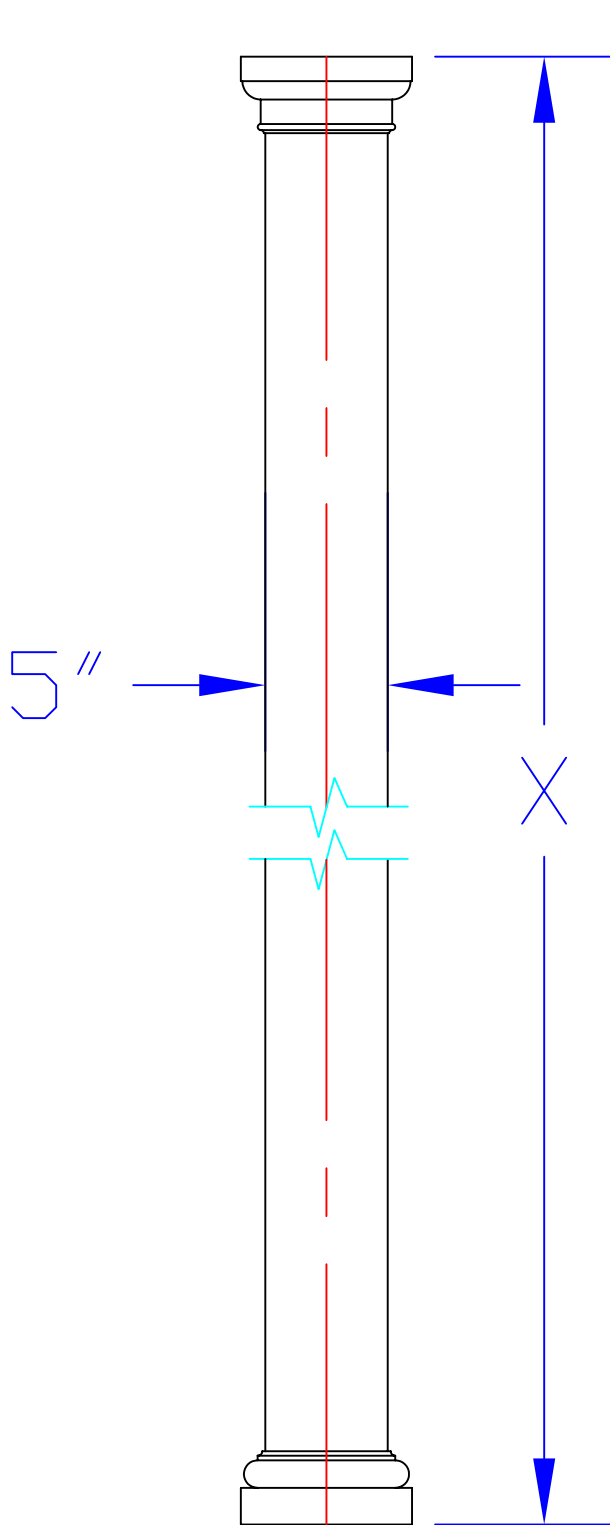
1610 Hanford St., Levittown, PA \* (215) 943-4567 \* FAX (215) 943-4540



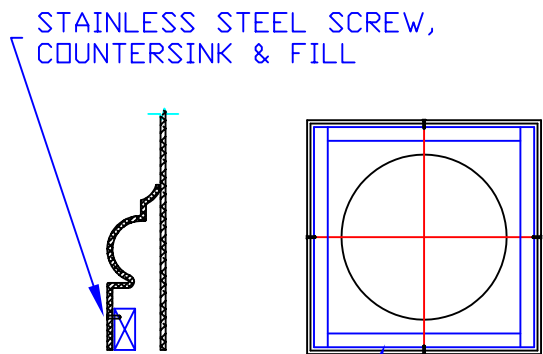
COL05A

FIBERGLASS  
TECHNOLOGIES, INC.

1610 Hanford St., Levittown, PA \* (215) 943-4567 \* FAX (215) 943-4540



BLOCKING AS REQUIRED  
BLOCKING DETAIL, CAPITAL



BLOCKING AS REQUIRED  
BLOCKING DETAIL, BASE

CAPITAL & BASE  
OPTIONAL  
ALL COLUMNS SHIPPED  
IN HALF-UNITS  
COLUMN WILL FIT UP TO:  
3" SQ. BEAM  
Ø4" COLUMN

COL05B

*FIBERGLASS  
TECHNOLOGIES, INC.*

1610 Hanford St., Levittown, PA \* (215) 943-4567 \* FAX (215) 943-4540